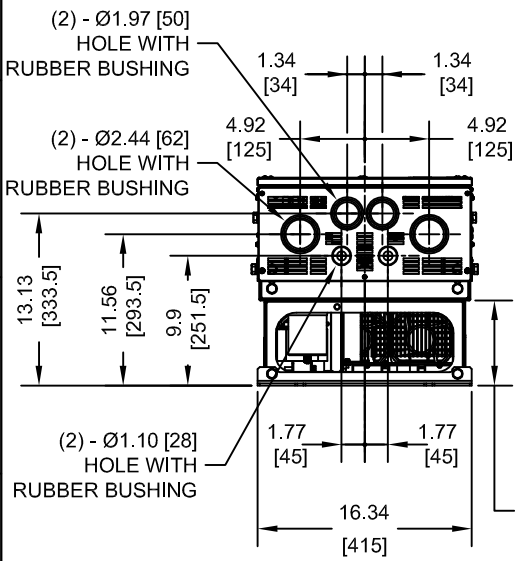
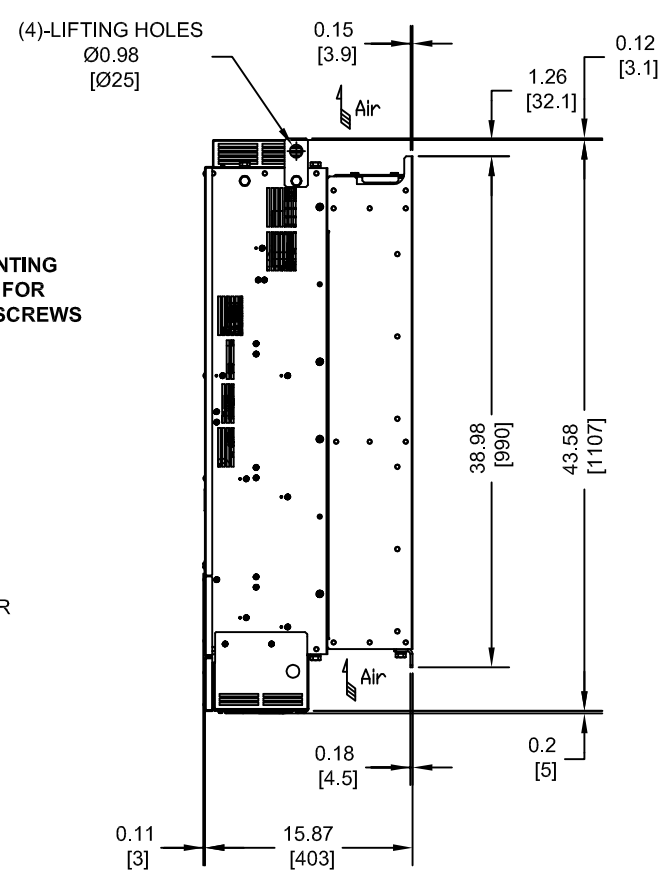
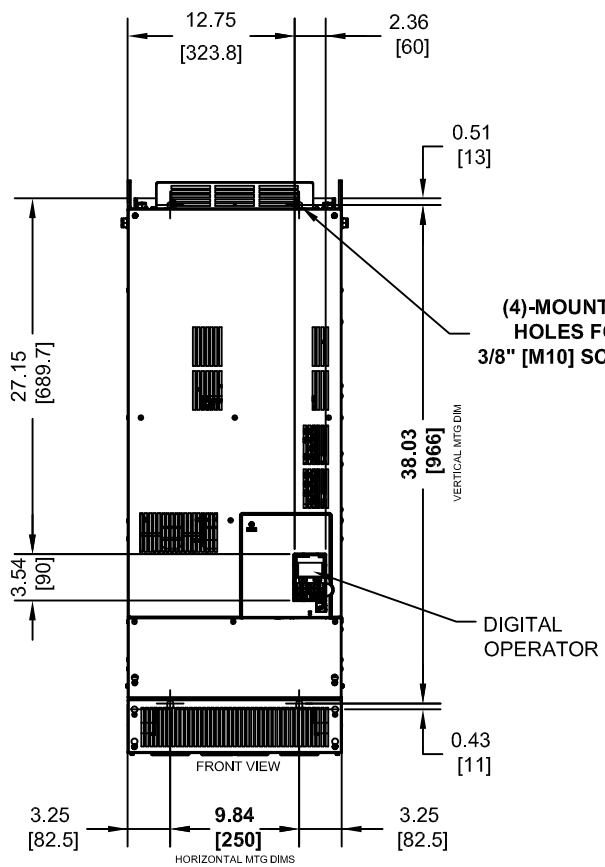


NOTE:  
SPREADER BAR REQUIRED TO  
AVOID DAMAGE DURING LIFTING



**THE DIMENSIONS SHOWN ARE FOR AN IP00 OPEN TYPE DRIVE THAT HAS BEEN CONVERTED TO A NEMA TYPE 1 DRIVE BY ADDING THE PARTS FROM NEMA 1 KIT PART NUMBER EZZ022745D**

MODEL # CIMR-UU	VOLTAGE 3-PHASE (VAC)	OUTPUT CURRENT (A)		WEIGHT LBS (Kg)	WEIGHT WITH EMC FILTER LBS (Kg)	HEAT LOSS (W)					
		ND	HD			ND (Fc=4kHz)			HD (Fc=4kHz)		
						INT	EXT	TOT	INT	EXT	TOT
2□0154□□□	200/240	154	130	249 (113)	260 (118)	366	2441	2807	318	2037	2355
2□0192□□□		192	154	249 (113)	260 (118)	447	3064	3511	366	2400	2766
4□0156□□□	380/500*	156	124	249 (113)	260 (118)	421	2857	3278	343	2242	2585
4□0180□□□		180	156	249 (113)	260 (118)	482	3316	3798	421	2833	3254

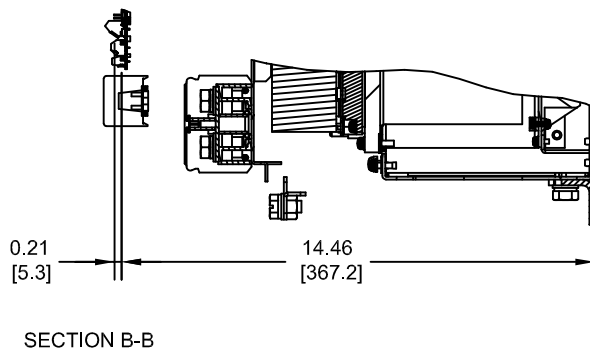
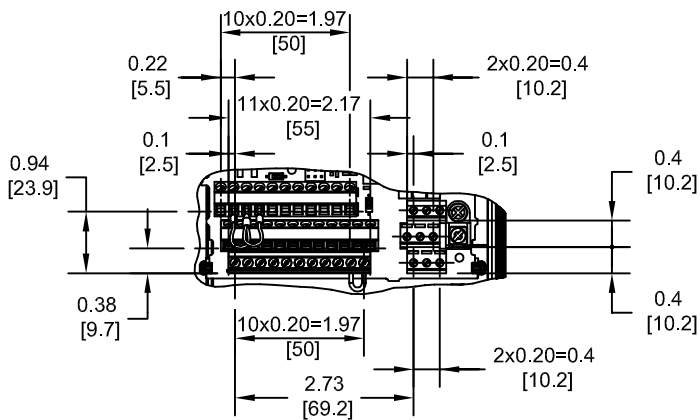
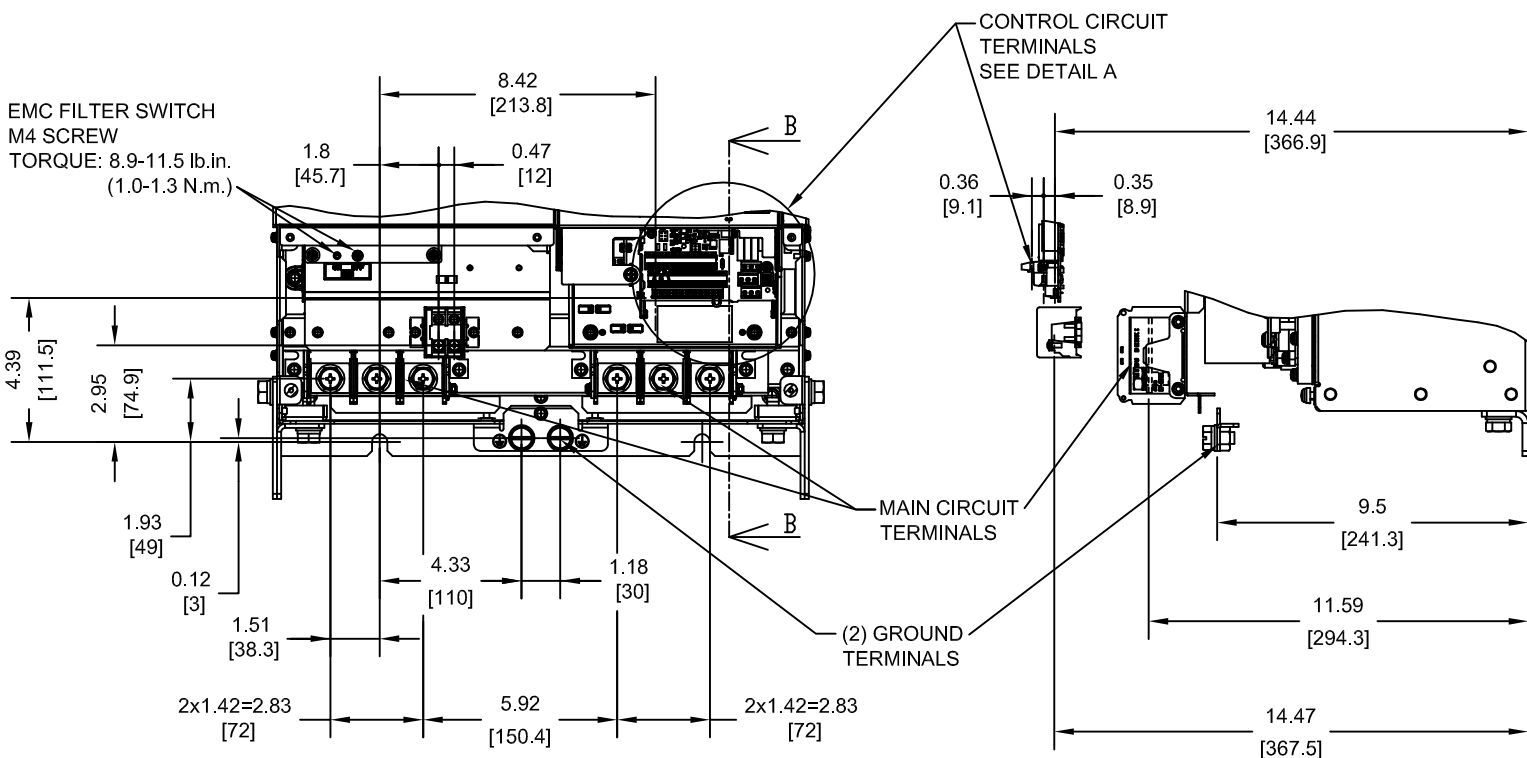
NOTES:  
□ DENOTES A-Z  
□□ DENOTES AAA-ZZZ  
\* - FOR MODELS WITH INTEGRAL EMC FILTER,  
VOLTAGE RATING IS 380/480.

INT=INTERNAL COMPONENTS  
EXT=EXTERNAL HEATSINK  
TOT=TOTAL

FOR ADDITIONAL DETAILS AND SPECIFICATIONS, CONSULT MANUAL

TOLERANCES / REFERENCES:			DRAWN: J. MATTAS DATE: 4-13-15	TITLE: U1000 DIMENSION DRAWING FRAME SIZE 4 NEMA TYPE 1 ENCLOSURE 2□0154, 2□0192, 4□0156 AND 4□0180
UNITS: IN[mm]	SCALE: 1:15		CHECKED: J. PIOTROWSKI DATE: 4-21-15	DATE: 4-22-15
THIS DOCUMENT AND INFORMATION CONTAINED IN IT ARE CONFIDENTIAL, AND CANNOT BE COPIED OR DISCLOSED IN WHOLE OR IN PART WITHOUT THE EXPRESS WRITTEN CONSENT OF YASKAWA AMERICA, INC.		TECH: J. BORJA DATE: 4-30-15	DATE: 4-30-15	SIZE: A
		APPROVED: J. CAIRO	DATE: -	REVISION: R00
		ORIGINAL DESIGN: -	DATE: -	PAGE: 1 of 3
		DRAWING #: <b>DD.U1K.FR4.N1</b>		

TERMINAL AND WIRING DETAILS (SCALE 1:6)



DETAIL A (SCALE 1:3)  
CONTROL CIRCUIT  
TERMINALS

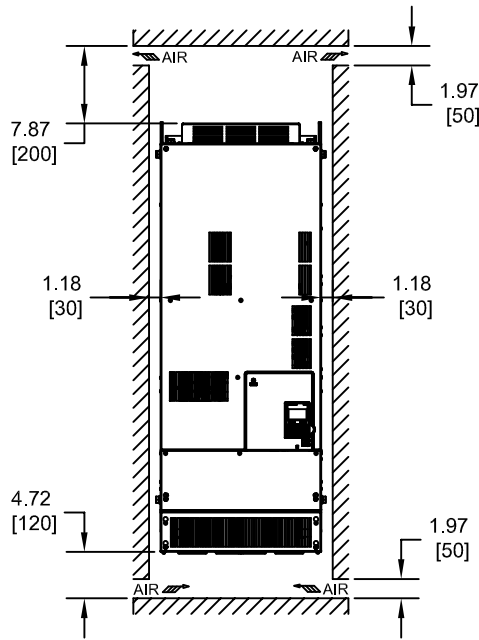
TERMINAL AND WIRE SPECIFICATIONS FOR  
MAIN CIRCUIT AND GROUND

MODEL # CIMR-UU	TERMINAL SYMBOL	TERMINAL SCREW	CLAMPING TORQUE lb.in.(N.m.)	WIRE RANGE AWG(mm <sup>2</sup> )
2□0154	R/L1, S/L2, T/L3	M10	133 TO 177 (15 TO 20)	10 TO 4/0 (6 TO 95)
2□0192	U/T1, V/T2, W/T3			
4□0156	p1, n1	M4	10.6 TO 17.7 (1.2 TO 2.0)	14 TO 12 (2.5 TO 4)
4□0180	⊕	M10	156 TO 200 (17.7 TO 22.6)	4 TO 2/0 (25 TO 70)

NOTE: REFER TO APPLICABLE CODES FOR PROPER WIRE TYPE AND SIZE

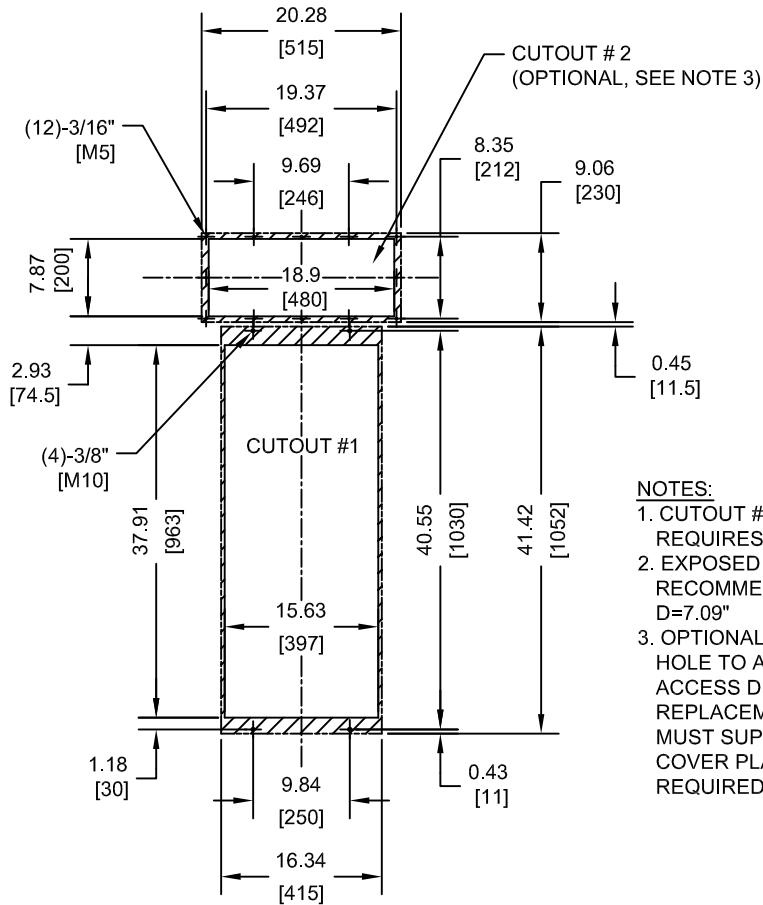
TOLERANCES / REFERENCES:		<p>THIS DOCUMENT AND INFORMATION CONTAINED IN IT ARE CONFIDENTIAL, AND CANNOT BE COPIED OR DISCLOSED IN WHOLE OR IN PART WITHOUT THE EXPRESS WRITTEN CONSENT OF YASKAWA AMERICA, INC.</p>	DRAWN: J. MATTAS	DATE: 4-13-15	TITLE: U1000 DIMENSION DRAWING FRAME SIZE 4 NEMA TYPE 1 ENCLOSURE 2□0154, 2□0192, 4□0156 AND 4□0180
			CHECKED: J. PIOTROWSKI	DATE: 4-21-15	
			TECH: J. BORJA	DATE: 4-22-15	
			APPROVED: J. CAIRO	DATE: 4-30-15	
UNITS: IN[mm]	SCALE: BY VIEW	ORIGINAL DESIGN:	-	DATE:	-
					DRAWING #: DD.U1K.FR4.N1
					SIZE: A      REVISION: R00      PAGE: 2 of 3

MINIMUM INSTALLATION CLEARANCES (SCALE 1:20)



NOTE:  
FOR SIDE-BY-SIDE MOUNTING  
CONSULT MANUAL

PANEL CUTOUT FOR EXTERNAL HEATSINK  
MOUNTING CONFIGURATION (SCALE 1:20)



- NOTES:
1. CUTOUT #1: EXTERNAL HEATSINK, REQUIRES MOUNTING KIT
  2. EXPOSED HEATSINK RECOMMENDED CLEARANCE D=7.09"
  3. OPTIONAL CUTOUT #2 IS AN ACCESS HOLE TO ALLOW FOR FRONT ACCESS DURING HEATSINK COOLING FAN REPLACEMENT. THE PANEL BUILDER MUST SUPPLY THE APPROPRIATE COVER PLATE AND HARDWARE REQUIRED TO CLOSE THIS OPENING.

FOR ADDITIONAL DETAILS AND SPECIFICATIONS, CONSULT MANUAL

TOLERANCES / REFERENCES:		<p>THIS DOCUMENT AND INFORMATION CONTAINED IN IT ARE CONFIDENTIAL, AND CANNOT BE COPIED OR DISCLOSED IN WHOLE OR IN PART WITHOUT THE EXPRESS WRITTEN CONSENT OF YASKAWA AMERICA, INC.</p>	DRAWN: J. MATTAS DATE: 4-13-15	TITLE: U1000 DIMENSION DRAWING FRAME SIZE 4 NEMA TYPE 1 ENCLOSURE 2-0154, 2-0192, 4-0156 AND 4-0180
			CHECKED: J. PIOTROWSKI DATE: 4-21-15	SIZE: A REVISION: R00 PAGE: 3 of 3
			TECH: J. BORJA DATE: 4-22-15	DRAWING #: DD.U1K.FR4.N1
UNITS: IN[mm]	SCALE: BY VIEW		APPROVED: J. CAIRO DATE: 4-30-15	ORIGINAL DESIGN: -